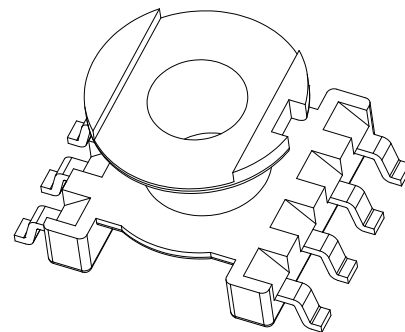
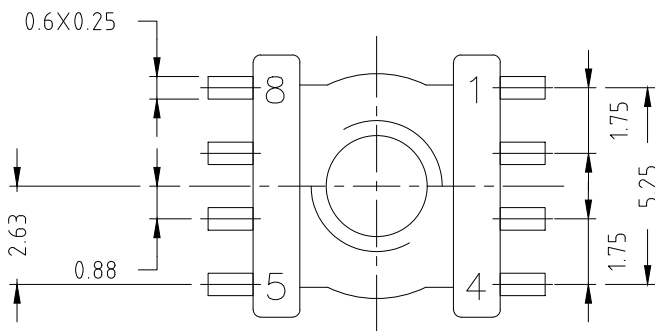
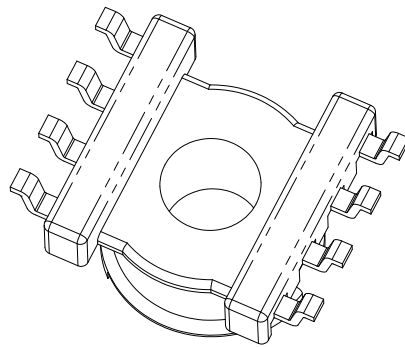
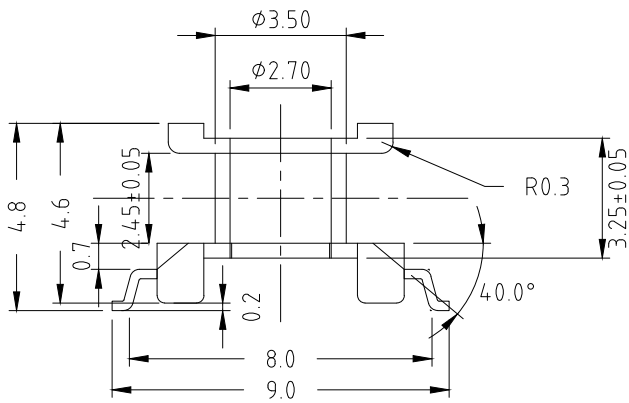
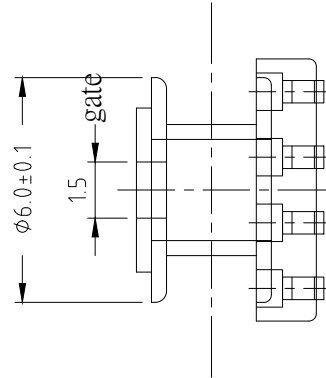
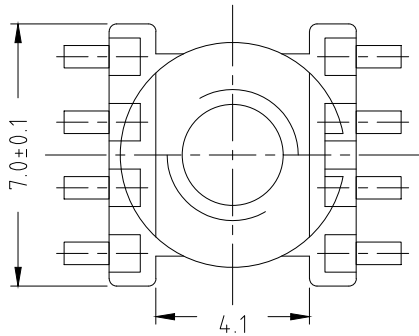




台灣高分子工業股份有限公司  
TAIWAN POLYMER INDUSTRIAL CO., LTD.

PRODUCT SPEC.

TPI NO.: SER75001



DATE	REVISED STORY	MODEL : ER75-8pin SMD (TPI NO. SR75001)		
		BOBBIN MATERIAL : LCP UL94V-0		
		PIN MATERIAL : PHOSPHORUS BRONZE (TIN PLATED)		
		DATE : June 01,2002	REV.: A	TOLERANCE : .XXX±0.08 .XX ±0.1 .X ±0.2